

KUBOTA COMPACT TELEHANDLER
KTH4815-2



Engine output (PS):
50

Machine weight (kg):
2950

VERSATILE AND COMF

The new Kubota KTH4815-2 telehandler is a versatile machine developed to work in small spaces. With its spacious cabin but compact size the KTH4815-2 can operate in a wide range of work spaces with all the comfort for the driver. From farms over greenery services to construction and industry, this machine is a multipurpose tool carrier that can handle heavy loads while also being maneuverable in tight spaces. The new Kubota KTH4815-2 can lift a load of 1.4 ton at 4.8 meters high which makes it unique in its category.

HYDROSTATIC TRANSMISSION (HST)

The hydrostatic transmission is equipped with a high performance pump which guarantees an efficient transmission of the power to the wheels. The transmission is a permanent 4 WD for maximum traction force. With its two travel speed reaching 25 km/hr and its inching pedal, the KTH4815-2 responds to all kinds of working conditions.



HEAVY DUTY CHASSIS

The KUBOTA KTH4815-2 is fitted with two heavy duty 8 tons capacity axles and heavy planetary end drive to insure good traction power, stability and handling of heavy loads. The differential lock on the front axle (option) is switchable on demand.



COMPACT



KUBOTA ORIGINAL ENGINE : POWERFUL, EFFICIENT AND LOW EMISSION

KUBOTA engine is known for its reliability and durability. It is strong and powerful with respect for the environment especially for noise and emissions.



Engine output

KTH4815-2: 50 PS

COMPACTNESS

The Kubota KTH4815-2 is very compact. With a width and height under 2 meters it can be used in narrow spaces such as old building, parking lots, etc ...



SMART COMMUNICATION SYSTEM

The KTH4815-2 is equipped with a smart communication system that makes maintenance easier. In addition it makes extra options possible.

DAILY MAINTENANCE

The bonnet can be widely open which ease the access to all major components such as oil check, radiator, air filter, battery, etc ... Exhaust pipe is also directed to the top, better working conditions in dusty environments.



COMFORT / PERFORM MAINTENANCE

The driver position of the KTH4815-2 is designed around the driver. All buttons and switches are easily reachable. The comfortable drivers seat has 2 armrest for optimal support during long work days. The optional closed cabin has a heater, radio and 4 workinglights.

DASHBOARD

The dashboard gives the driver an easy overview over all important information as well as a diagram of lifting capacity. The user can concentrate fully on the job at hand.

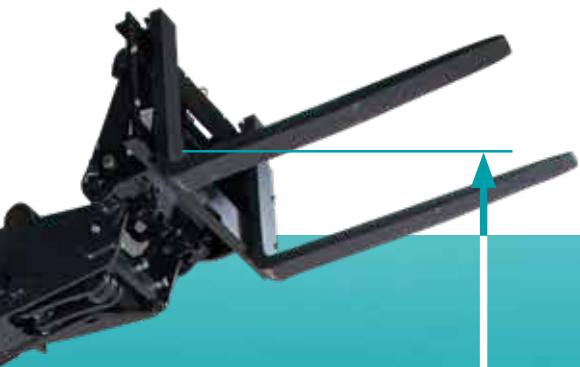


MULTI-FUNCTION OPERATING LEVER AND STEERING COLUMN

The standard joystick is well equipped with all the necessary buttons to operate the machine in total comfort. The driver can switch the driving mode and the speed by fingertip. But also extend the boom and switch between functions with the same hand while never having to let go of the steering wheel with the other hand. The steering column is also adjustable and allows the operator to work in optimal conditions.



PERFORMANCE



4800 mm



TOUCHPAD

- A. Worklights front*
- B. Worklights back*
- C. Rotating beacon*
- D. Joystick lock*
- E. Spray windshield*
- F. Spray back window*
- G. 2 wheel steer*



SPACIOUS CABIN

The KTH4815-2 has a spacious, quiet cabin with a large bended windshield, this gives good visibility. The driver has a 360° view. If more visibility is wanted extra mirrors are available in option.



VENTILATION HEATING

To keep the driver warm during working in the cold, the KTH4815-2 has an extensive ventilation heating. 3 outlets above the dashboard keep the windows and the driver warm while 1 on the bottom keeps the drivers feet warm. This keeps the KTH4815-2 comfortable even during the coldest months.



Steering mode



TWO-WHEEL STEERING

Makes it possible to drive steady and steer accurately. Ideal for long distance travel.



FOUR-WHEEL STEERING

Very maneuverable in smaller areas due to the small turning radius.

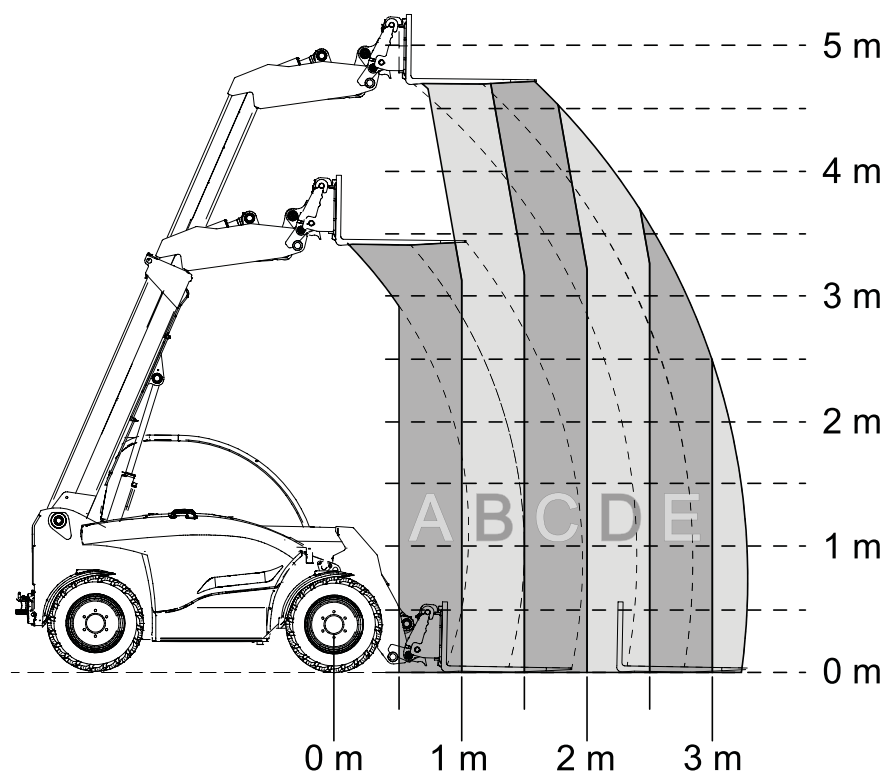


CRAB STEER

Easy to drive closely to the wall.

Lifting chart

Model		KTH4815-2				
Standard version		A	B	C	D	E
Tipping load	kg	2490	1670	1255	700	585
Lifting capacity	kg	1735	1165	900	395	330
With counterweight (option)		A	B	C	D	E
Tipping load	kg	2870	1925	1445	855	710
Lifting capacity	kg	2115	1420	1090	550	460



Kubota Genuine and Approved Parts

for maximum performance, durability and safety



Standard and optional equipments

• Standard equipment ○ Optional equipment

Model	KTH4815-2
Engine/Fuel system	
KUBOTA original engine (Stage V)	•
Cyclone filter	•
Oil cooler	•
Travel system	
Hydrostatic 4 wheel drive with automotive control	•
Travel speed 0-7km/h 0-25km/h	•
Hydraulic multidisk brake	•
Electric differential lock on front axle	○
Different set of tires	○
Four wheel steer	•
Hydraulic system	
Hydraulic quick coupler	•
Multi function joystick	•
Lever behind joystick for AUX control (mechanical control)	•
Inching and brake pedal (left)	•
Extra mechanical controlled AUX line	○
Extra Electric/Hydraulic controlled AUX line	○
Two Electric/Hydraulic controlled AUX line	○
Two Electric/Hydraulic proportional controlled AUX line	○
Three Electric/Hydraulic proportional controlled AUX line	○
Single / double side stop	○
Safety valves	•
Leak oil	○
Free return	○
Driving position	
Weight-adjustable seat with arm rests and back rest	•
Seatbelt	•
tilt steering column	•
Air suspended seat	○

Model	KTH4815-2
Canopy (cabin without door on the left side)	
ROPS (Roll-over Protective Structure)/ FOPS (Falling Object Protective Structure)	•
Side mirrors	○
Cabin	
ROPS (Roll-over Protective Structure)/ FOPS (Falling Object Protective Structure)	○
heating, FM/AM radio and speakers, safety door (L), 2 side mirrors (L+R), 2 working lights (halogen) front, 1 working light (halogen) rear, interior decoration	○
Air conditioning	○
DAB+ radio and speakers	○
Camera monitor system (1 camera on extendable section lifting arm, 1 rear camera)	○
Lighting	
Working light on lifting arm	•
Flashing warning light halogen	○
Flashing warning light LED	○
Traffic lights	○
Traffic lights LED	○
Other	
Two wheel and crab steering	○
13 pin Trailer socket to the back	○
3 pin socket on the front or back	○
Reverse buzzer	○
Counterweight 170 kg with integrated towing hook	○
Combination towing hook	○
Kit engine heater 220v	○
Reversible fan	○
Licence plate holder with illumination	○
Other Quick Hitch	○

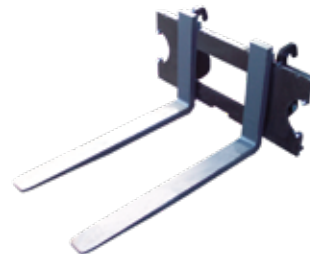
Accessories

*For further information consult your local dealer.



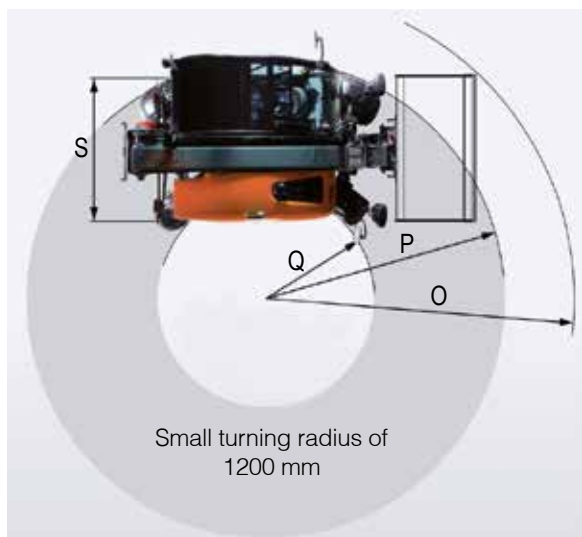
QUICK COUPLER

KTH4815-2 is equipped with hydraulic quick coupler for easy and fast change of attachments.



Specifications

Model		KTH4815-2	
Operating weight (with bucket)	kg	2950	
Engine			
Manufacturer	Kubota		
Model	D1803 Stage V		
Horse power (ISO9249)	kW	37	
	PS	50	
Number of cylinders	3		
Displacement	cc	1826	
Transmission			
Type	Hydrostatic with automotive control		
Load			
Lifting capacity	See diagram		
Proportional Load Moment Protection (EN 15000)			
Travelling			
Tyre size	10 x 75-15.3 AS		
Travelling speed	km/h	0-7 0-25	
Steering	4 wheel steer		
Auxiliary oil flow	l/min	51	
Auxiliary oil pressure	bar	230	
Noise level			
Sound pressure level (LpA)(canopy/cabin)	dB (A)	≤101	
Sound power level (LwA (2000/14/EC))	dB (A)	≤101	
Hand arm system vibration	m/s ²	≤2,5	
Whole body vibration	m/s ²	≤2,5	
Capacity			
Fuel tank	l	38	
Hydraulic oil tank	l	75	

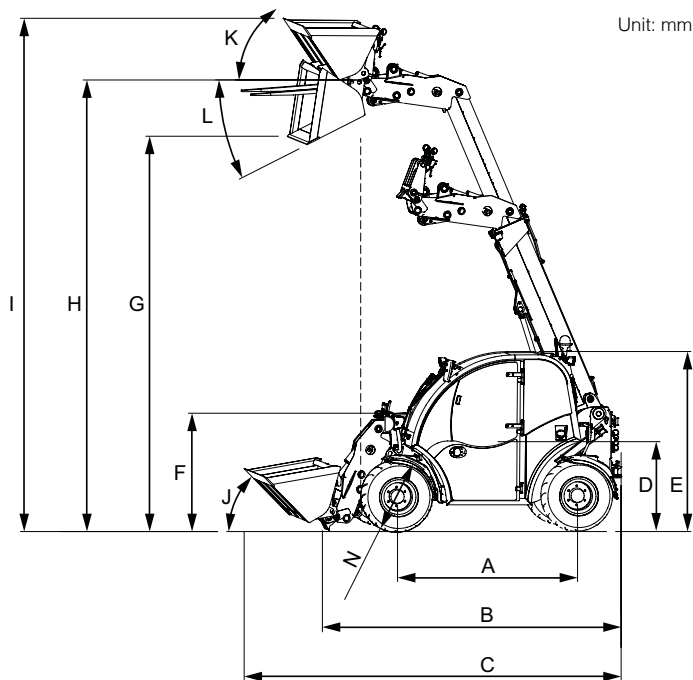


Dimensions

Machine dimensions*

Model		KTH4815-2	
A	Wheel base	mm	1950
B	Overall length without bucket	mm	3135
C	Overall length with bucket	mm	3850
D	Seat height	mm	950
E	Overall height	mm	1970
F	Front frame height	mm	1270
G	Dumping height	mm	4100
H	Max. height at hinge pin	mm	4800
I	Max. lifting height at bucket	mm	5500
J	Roll back angle at ground level	deg	45
K	Roll back angle at max. height	deg	51
L	Dumping angle	deg	33
N	Diameter of standard wheel	mm	780
O	Turning radius with bucket	mm	3400
P	Turning radius (outer wheel)	mm	2700
Q	Turning radius (inner wheel)	mm	1200
S	Overall width	mm	1600

*The data have been measured on the standard version. Specifications are subjects to be changed without notice.



★ All images shown are for brochure purposes only.

When operating the Compact Telehandler, wear clothing and equipment in accordance to local legal and safety regulations.

KUBOTA EUROPE S.A.S.

19 rue Jules Vercurysse
 Zone Industrielle - CS 50088
 95101 Argenteuil Cedex France
 Téléphone : (33) 01 34 26 34 34
 Télécopieur : (33) 01 34 26 34 99
<http://www.kubota-eu.com>

